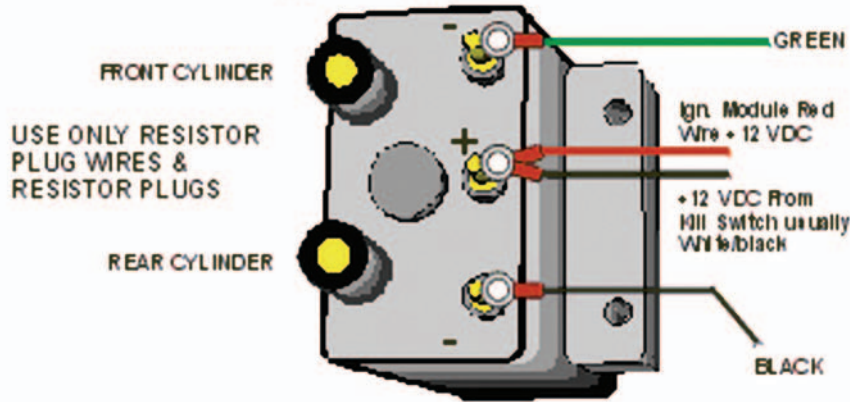


Installation Instructions

Spyke Single-Fire Ignition

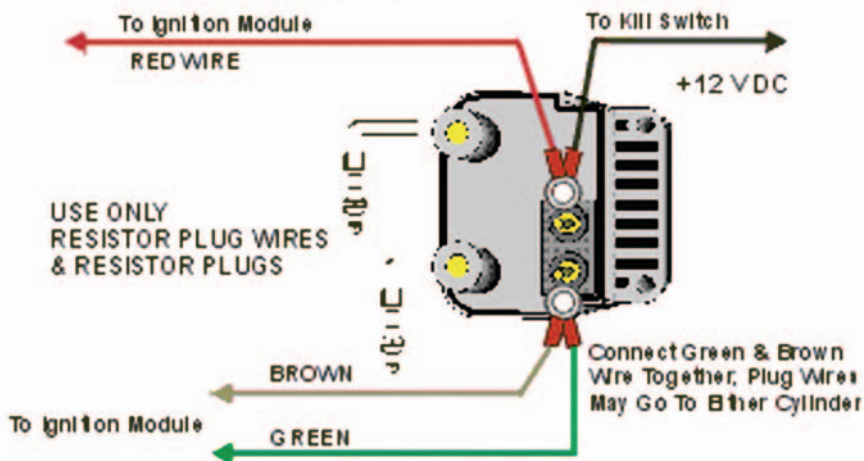
Spyke Single Fire Coil



Coil Hook-Up Guidelines

1. Use only resistor plugs & resistor plug wires even when grounding outputs on two output coils for single output use.
2. Do not touch the green or brown output wires to +12 VDC.
3. A total of 2.8 ohms is the minimum allowable coil resistance.
4. Do not hook up coils with power (12 VDC) applied to the coils & ignition module.
5. Be sure the coil used does not require a ballast resistor, if it does, it must be used.
6. Make sure not to run wiring near high heat areas of the motorcycle, as the exhaust system.
7. Use only new or known to be good coils.

Dual Fire, 1 Plug/Cylinder, 3 Ohm, DF Coil



Dual Fire, 1 Plug/Cylinder, 3 Ohm, DF Coil

